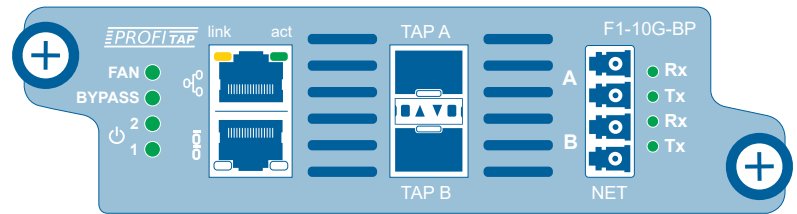


QUICK START GUIDE

F1-10G-BP

1 CAREFULLY UNPACK ALL THE ITEMS AND RETAIN THE PACKAGING FOR LATER USE

- 1 x F1-10G-BP main unit
- 2 x 12V 1.5A power supply
- 1 x DB9 to RJ45 console cable

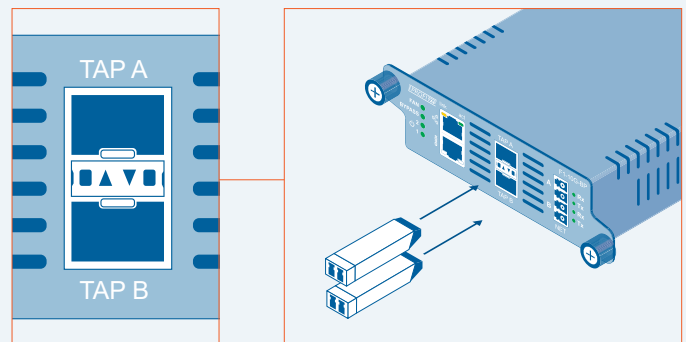


2 CONNECT THE MONITORING PORTS

- A** Carefully insert both DAC/SFP modules in to TAP A and TAP B ports, making sure the retention mechanism is closed. Depending on the SFP module used, attach the optical fiber or the Ethernet cables and assure a proper connection.

► **Note:** Optical fiber connectors should be inspected for debris that might affect the link.

- B** Follow the same procedure when connecting to the monitored security appliance, and make sure the signal direction matches the Tx ► Rx / Tx ► Rx signal direction in case of using optical fiber cables.

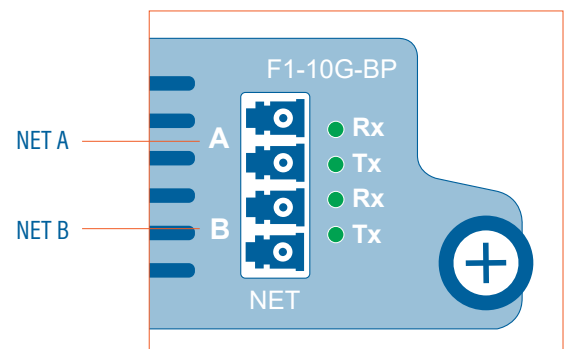


3 CONNECT THE IN-LINE NETWORK PORTS

- A** Insert the LC optical fiber cables in to the NET A and NET B ports and assure a proper connection.

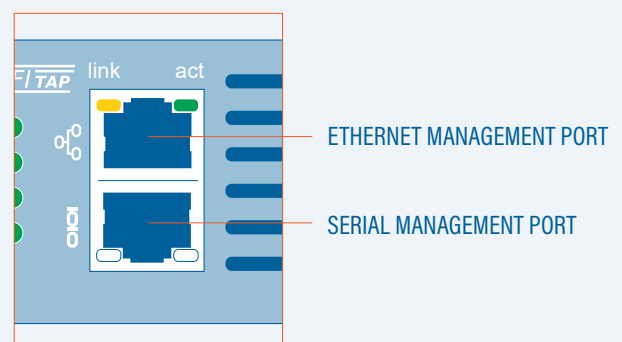
► **Note:** Optical fiber connectors should be inspected for debris that might affect the link.

- B** Follow the same procedure when connecting the optical fiber cables to the network devices, matching the Tx ► Rx / Tx ► Rx signal direction.



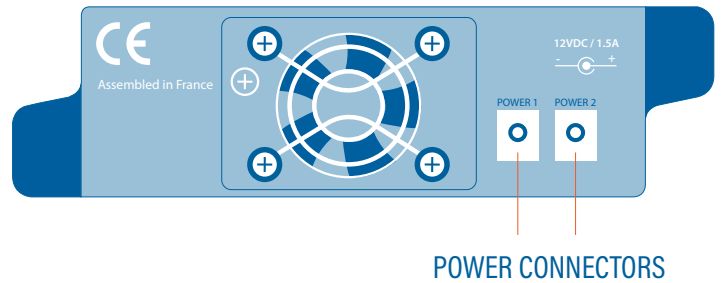
4 CONNECT THE MANAGEMENT PORTS

- A** Connect the Ethernet management port to the LAN.
- B** Optional: connect the Serial management port to the computer.



5 POWER UP

- A** Connect at least one power supply for the device to power up.
- B** Connect the secondary power supply to achieve a maximum failsafe operation at any time.



6 CONNECT TO THE DEVICE, CONFIGURE AND START MONITORING

- A** Remotely, through LAN, using SSH or the BP Manager web interface.
- B** Locally, using the serial cable, in CLI mode.
- C** Configure the Bypass and Heartbeat behavior and the rest of its settings.
- D** Start monitoring the traffic.

▶ Download the latest user manual from <https://resources.profitap.com/>