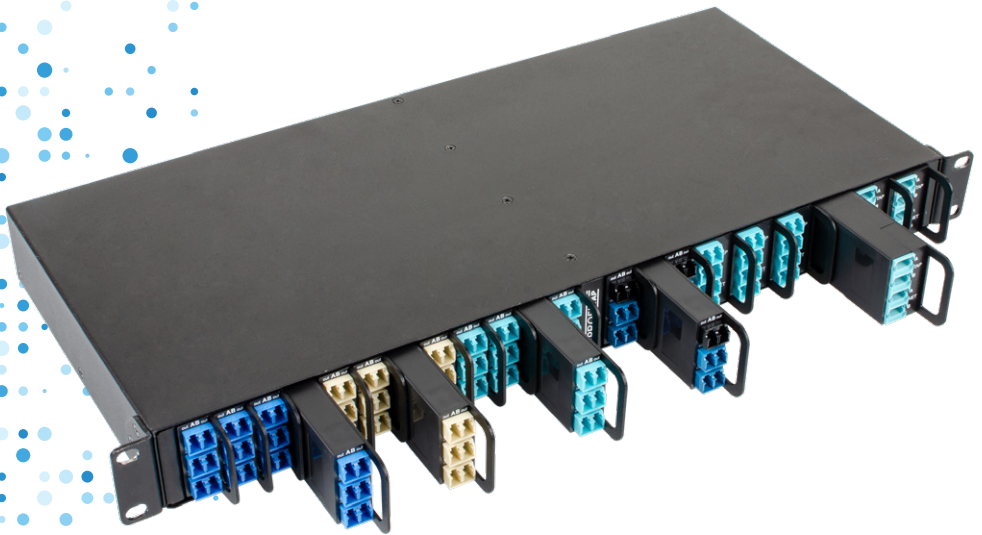


# MOD-TAP

USER MANUAL



**PROFITAP**

[www.profitap.com](http://www.profitap.com)

For any questions, technical or otherwise, please contact our customer support through our website:

[\*www.profitap.com\*](http://www.profitap.com)

or by email:

[\*info@profitap.com\*](mailto:info@profitap.com)

For the latest documentation and software, visit our Resource Center:

[\*http://www.profitap.com/resource-center/\*](http://www.profitap.com/resource-center/)

# TABLE OF CONTENTS

## ***Installation*** **4**

Chassis	4
Modules	4

## ***Connection*** **5**

F1L-MOD LC TAP modules & F1D-MOD Diode TAP module	5
F1M-MOD MTP TAP modules	6
F1B-MOD BiDi TAP module	7

## ***Technical Specifications*** **8**

F1L-MOD	8
F1D-MOD	9
F1B-MOD	9
F1M-MOD	10
AMC-1U Modular Chassis	10

## ***Legal*** **11**

### ***Important note regarding optical fiber:***

Fiber optic cleanliness is paramount for proper signal transmission, because dust and other microscopic particles can disturb or block the signal. It is recommended to keep dust caps on unused connectors to reduce the risk of contamination, and to clean both fiber optic cables and connectors using proper fiber optic cleaning equipment before connecting them. In case of weak signal, or lack of signal, the first remedial step should be to clean the cables and connectors.

## ***INSTALLATION***

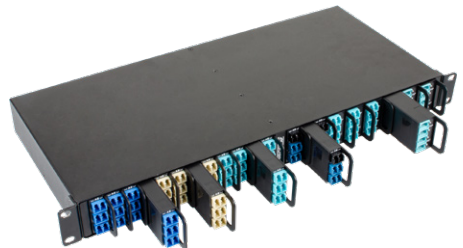
### ***Chassis***



The modular chassis can be mounted in a standard 19" rack. Slide the chassis into the desired rack location, with the internal module rails downward. Secure the chassis to the rack using appropriate rack screws.

### ***Modules***

Insert the modules in the modular chassis until you feel the click indicating that they are secured in the internal chassis rails. If the modules do not slide smoothly into the chassis, verify that the internal rails are located at the bottom of the chassis, and that the modules are aligned with the internal rails, with the modules' front text upright.



# CONNECTION

## F1L-MOD LC TAP Modules & F1D-MOD DiodeTAP Module



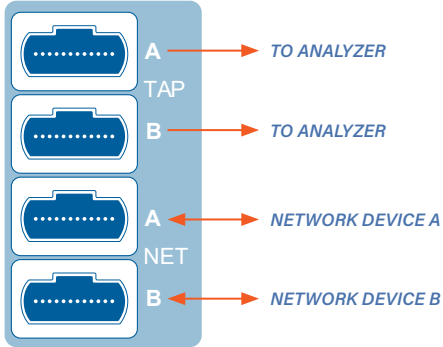
Connect the TAP as shown above.

The *out* (Tx) ports of Net A and Net B on the TAP should be connected to the *in* (Rx) ports of the in-line network devices, and the *in* (Rx) ports to the *out* (Tx) ports.

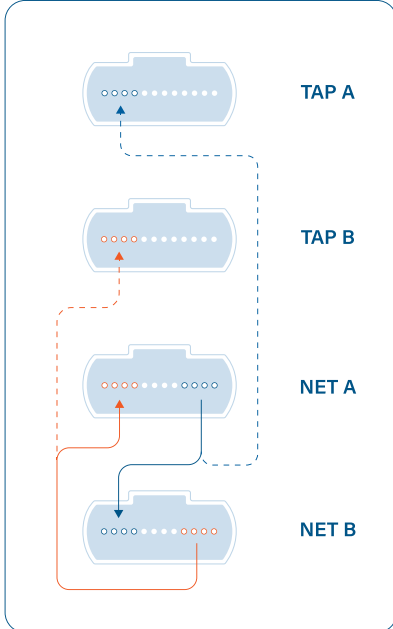
**Connecting the network ports incorrectly prevents the analyzer (TAP) from receiving any signal.**

The *out* (Tx) ports of TAP AB should be connected to the analyzer using **split duplex cables**, and to **RX only transceivers**.

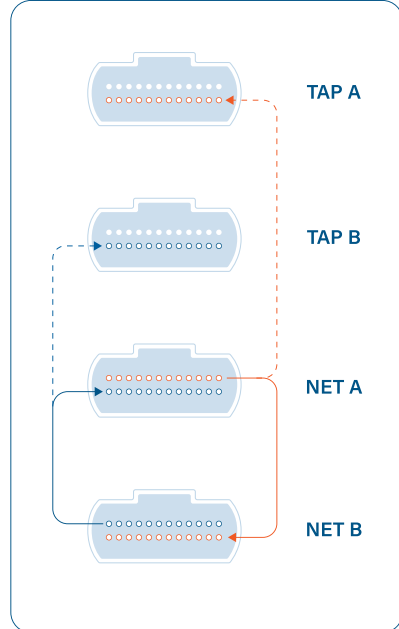
## F1M-MOD MTP TAP Modules



Connect the TAP as shown above, with NET A and NET B connected to network device A and network B of the link to be monitored. Connect TAP A and TAP B to the analyzer using **cross cables (type B)**.

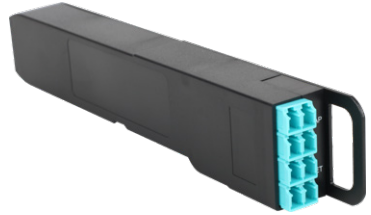
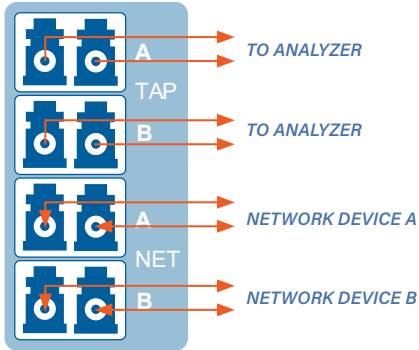


SR4 MTP Modules Internal Cabling



SR10 MTP Modules Internal Cabling

# F1B-MOD BiDi TAP Module



Connect the TAP as shown above.

**Note:** Use RX only transceivers on the monitoring appliance.

# TECHNICAL SPECIFICATIONS

## F1L-MOD

<i>Model</i>	<i>Fiber Type</i>	<i>Wavelengths</i>	<i>WDM</i>	<i>Split ratio</i>	<i>Maximum insertion loss (dB) NET / TAP</i>
F1L-MOD-U-50	Multi-Mode 62.5 µm	850/1300 nm	No	50/50	4.0 / 4.0
F1L-MOD-U-60	Multi-Mode 62.5 µm	850/1300 nm	No	60/40	3.0 / 5.0
F1L-MOD-U-70	Multi-Mode 62.5 µm	850/1300 nm	No	70/30	2.4 / 6.3
F1L-MOD-Z-50	Multi-Mode 50 µm	850/1300 nm	Yes	50/50	3.8 / 3.8
F1L-MOD-Z-60	Multi-Mode 50 µm	850/1300 nm	Yes	60/40	2.8 / 4.8
F1L-MOD-Z-70	Multi-Mode 50 µm	850/1300 nm	Yes	70/30	2.2 / 6.1
F1L-MOD-S-50	Single-Mode 9 µm	1310/1550 nm	Yes	50/50	3.4 / 3.4
F1L-MOD-S-60	Single-Mode 9 µm	1310/1550 nm	Yes	60/40	2.5 / 4.5
F1L-MOD-S-70	Single-Mode 9 µm	1310/1550 nm	Yes	70/30	1.7 / 5.8

### **Dimensions (WxDxH)**

17 x 217 x 41 mm

0.7 x 8.5 x 1.6 in

### **Weight**

76 g

0.17 lb



## F1D-MOD

<i>Model</i>	<i>Fiber Type</i>	<i>Wavelength</i>	<i>Split ratio</i>	<i>Maximum insertion loss (dB) NET / TAP</i>
F1D-MOD-13-50	Single-Mode 9 µm	1310 nm	50/50	3.6 / 4.4
F1D-MOD-13-60	Single-Mode 9 µm	1310 nm	60/40	2.7 / 5.5
F1D-MOD-15-50	Single-Mode 9 µm	1550 nm	50/50	3.6 / 4.4
F1D-MOD-15-60	Single-Mode 9 µm	1550 nm	60/40	2.7 / 5.5

### **Dimensions (WxDxH)**

17 x 217 x 41 mm

0.7 x 8.5 x 1.6 in

### **Weight**

76 g

0.17 lb

## F1B-MOD

<i>Model</i>	<i>Fiber Type</i>	<i>Wavelengths</i>	<i>Split ratio</i>	<i>Maximum insertion loss (dB) NET / TAP</i>
F1B-MOD	OM4 Multi-Mode 50 µm	832-918 nm	50/50	3.8 / 3.8
F1B2-MOD	OM5 Multi-Mode 50 µm	832-918 nm	50/50	3.8 / 3.8

### **Dimensions (WxDxH)**

25 x 217 x 41 mm

1 x 8.5 x 1.6 in

### **Weight**

90 g

0.2 lb

## F1M-MOD

<i>Model</i>	<i>Fiber Type</i>	<i>Split ratio</i>	<i>Maximum insertion loss (dB) NET / TAP</i>
F1M-MOD-SR4-50	Multi-Mode 40GBASE-SR4 Multi-Mode 100GBASE-SR4	50/50	4.2 / 4.2
F1M-MOD-SR10-50	Multi-Mode 100GBASE-SR10	50/50	4.2 / 4.2
F1M-MOD-SM-50	Single-Mode 40GBASE-PLR4 Single-Mode 100GBASE-PSM4	50/50	3.8 / 3.8
F1M-MOD-SM-70	Single-Mode 40GBASE-PLR4 Single-Mode 100GBASE-PSM4	70/30	2.4 / 6.1

### **Dimensions (WxDxH)**

25 x 217 x 41 mm

1 x 8.5 x 1.6 in

### **Weight**

90 g

0.2 lb

## AMC-1U Modular Chassis

### **Dimensions (WxDxH)**

440 x 202 x 44 mm

17.3 x 8 x 1.7 in

### **Weight**

2140 g

4.7 lb

# *LEGAL*

## *DISCLAIMER*

The manufacturer makes no representations or warranties with respect to the contents hereof and specifically disclaims any implied warranties of merchantability or fitness for any particular purpose. The manufacturer reserves the right to revise this publication and to make changes in the content thereof without obligation of the manufacturer to notify any person of such revision or changes.

## *COPYRIGHT*

This publication, including all photographs and illustrations, is protected under international copyright laws, with all rights reserved. Neither this manual, nor any of the material contained herein, may be reproduced without written consent of the author.

## *TRADEMARKS*

The trademarks mentioned in this manual are the sole property of their owners.

PROFITAP HQ B.V. — High Tech Campus 84  
5656AG Eindhoven — The Netherlands

[sales@profitap.com](mailto:sales@profitap.com)  
[www.profitap.com](http://www.profitap.com)

© 2021 Profitap — v1.5-11

